

# MM 35-43 Stand Off Insulator

Manufacturing Process : TRANSFER MOLDING



Proudly made in the  
USA



Inserts : Nickel Plated carbon steel or AISI 316 Stainless steel are standard. Other materials on request.

Dimensions	
Height	35 ± 0.25mm
Diameter	35mm
Distance Across Flats	32mm
Creepage	43 mm
Mechanical Characteristics	
Tensile Strength	≥ 800 daN
End Flexural Strength	≥ 200 daN
Compressive Strength	≥ 4200 daN
Torsion	> 30 N.m
Electrical Characteristics	
Arc Over Voltage in Air	≥ 18 kV
Breakdown Voltage in Air	≥ 20 kV
Insulation Resistance at 1000 V	≥ 200 GΩ
Capacitance	5.1 pF
Test Conditions	
Withstand Voltage	16 kV
Frequency	60 Hz
Duration	1 minute



**CRYPEX COMPOSITES LLC**  
*MYCALEX Insulators*

125 Clifton Boulevard, Clifton NJ. 07011

Phone: 973-779-8866 Fax: 973-779-2013 [www.crystexcomposites.com](http://www.crystexcomposites.com)



# MM 35-43 Stand Off Insulator

Creepage 43mm

Weight 0.08 Kg

MATERIAL : MYCALEX MM 451 Glass Mica Ceramic

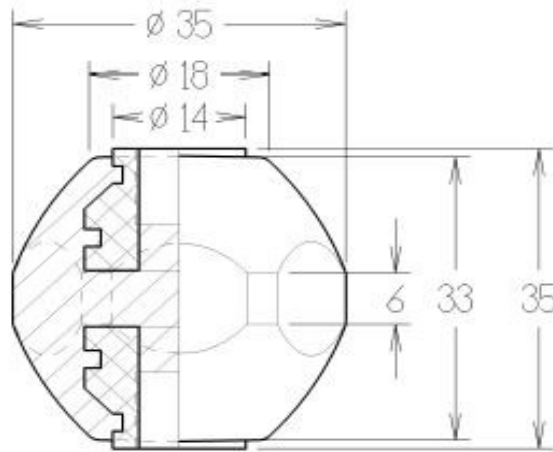
RoHS compliant (Pb Free)

CTI > 600

Mycalex Insulators are made from inorganic materials that do not burn. Compliant to EN 45545-2, NF F16-101 and NF-F-102

Operating Temperature : -50 to 450°C

Manufacturing Process : TRANSFER MOLDING



Hexagonal Across Flats - 32mm

Inserts : Nickel Plated carbon steel or AISI 316 Stainless steel are standard. Other materials on request.

Description	Insert Material	THREAD	PITCH mm	CRYSTEX PART
MM35-43-M 8	NPS	M 8	1.25	45-0451-0148
	AISI 316			47-0451-0148-S
MM 35-43-M10	NPS	M 19	1.50	45-0451-0149
	AISI 316			47-0451-0149-S

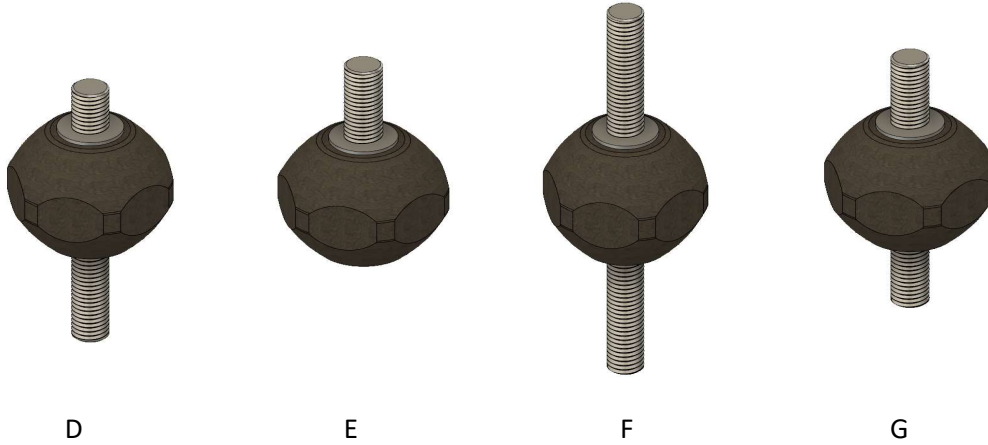


Rev

4

# MM 35-43 Stand Off Insulator Versions with Male studs

Creepage 43mm



Type	Insert	Dia	Thread	Pitch	Length
D	1 Male	8mm	M8	1.25	12mm
	1 Male	8mm	M8	1.25	28mm
E	1 Female	8mm	M8	1.25	8mm
	1 Male	8mm	M8	1.25	22mm
F	2 Male	8mm	M8	1.25	35mm
G	2 Male	8mm	M8	1.25	20mm

