

MM 50-U-100 Stand Off Insulator

Manufacturing Process : TRANSFER MOLDING



Proudly made in the
USA



Inserts : Nickel Plated carbon steel or AISI 316 Stainless steel are standard. Other materials on request.

Dimensions	
Height	50 ± 0.25mm
Diameter	65 mm
Creepage	100 mm
Mechanical Characteristics	
Tensile Strength	≥ 1500daN
End Flexural Strength	≥ 450daN
Compressive Strength	≥ 5000daN
Torsion	> 90 N.m
Electrical Characteristics	
Arc Over Voltage in Air	≥ 26 kV
Breakdown Voltage in Air	≥ 30 kV
Insulation Resistance at 1000 V	≥ 200 GΩ
Capacitance	6.5 pF
Test Conditions	
Withstand Voltage	22 kV
Frequency	60 Hz
Duration	1 minute



CRYSTEX COMPOSITES LLC

MYCALEX Insulators

125 Clifton Boulevard, Clifton NJ. 07011

Phone: 973-779-8866 Fax: 973-779-2013 www.crystexcomposites.com



MM 50-U-100 Stand Off Insulator

Creepage 100mm

Weight 0.19 Kg

MATERIAL : MYCALEX MM 451 Glass Mica Ceramic

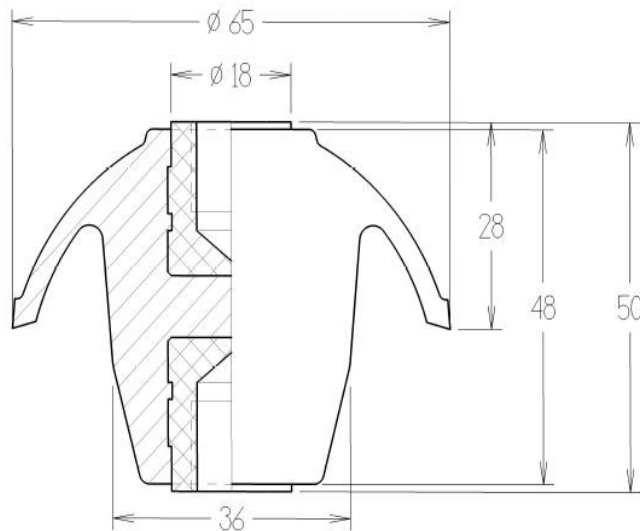
RoHS compliant (Pb Free)

CTI > 600

Mycalex Insulators are made from inorganic materials that do not burn. Compliant to EN 45545-2, NF F16-101 and NF-F-102

Operating Temperature : -50 to 450°C

Manufacturing Process : TRANSFER MOLDING



Inserts : Nickel Plated carbon steel or AISI 316 Stainless steel are standard. Other materials on request.

Description	Insert Material	THREAD	PITCH mm	CRYSTEX PART
MM50-U-100-M 10	NPS	M 10	1.50	45-0451-0224
	AISI 316			47-0451-0224-S
MM50-U-100-M 12	NPS	M 12	1.75	45-0451-0225
	AISI 316			47-0451-0225-S

